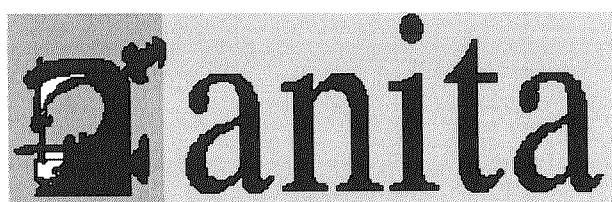


Schéma zapojení a katalog náhradních dílů pro



Beta3, Beta3/L3, TP/A



ANITA B, s.r.o.

Hliníky 2068

680 01 Boskovice

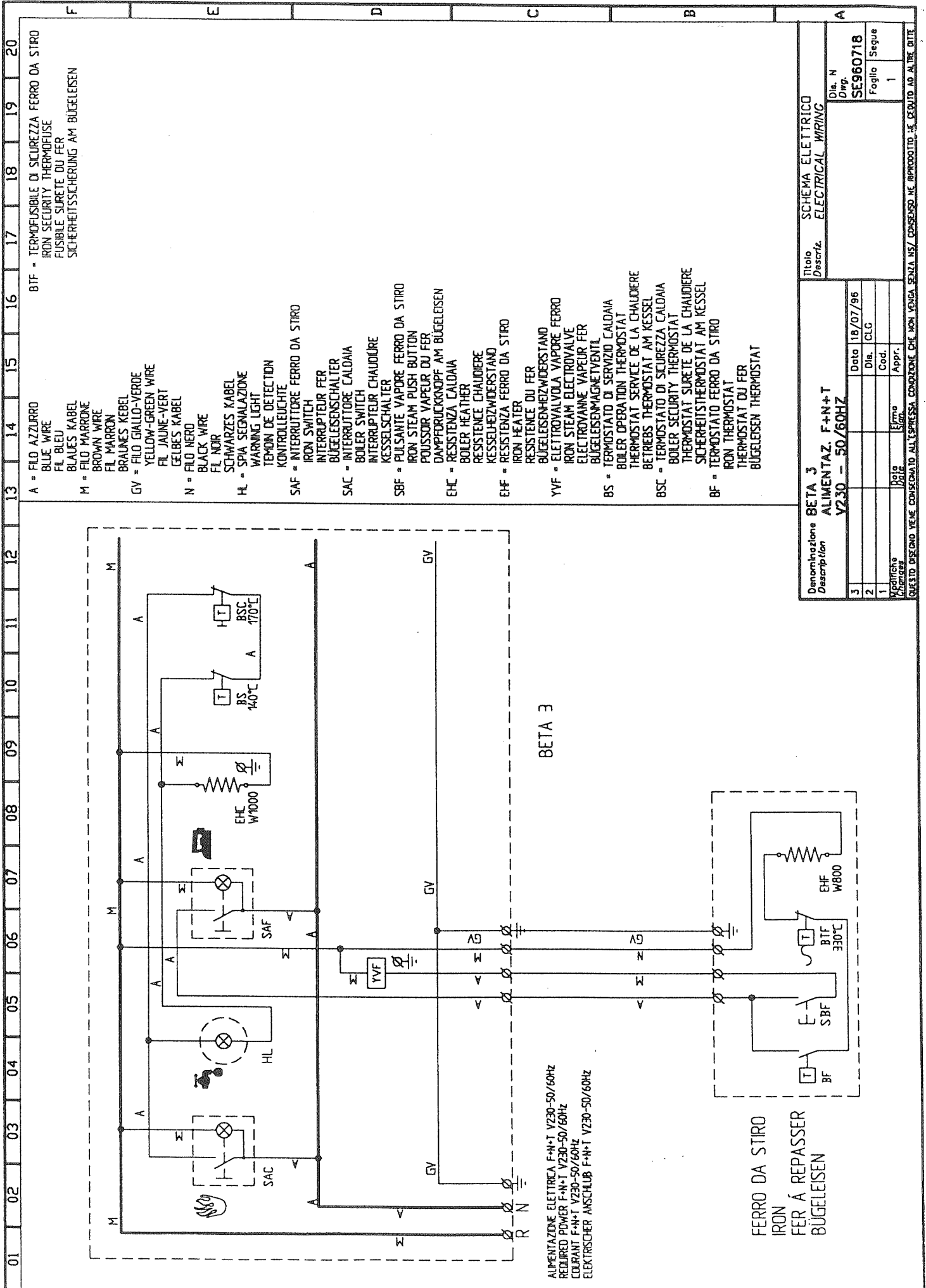
Czech Republic

tel: +420 516 454 774

+420 516 453 496

fax: +420 516 452 751

e-mail: info@anita.cz

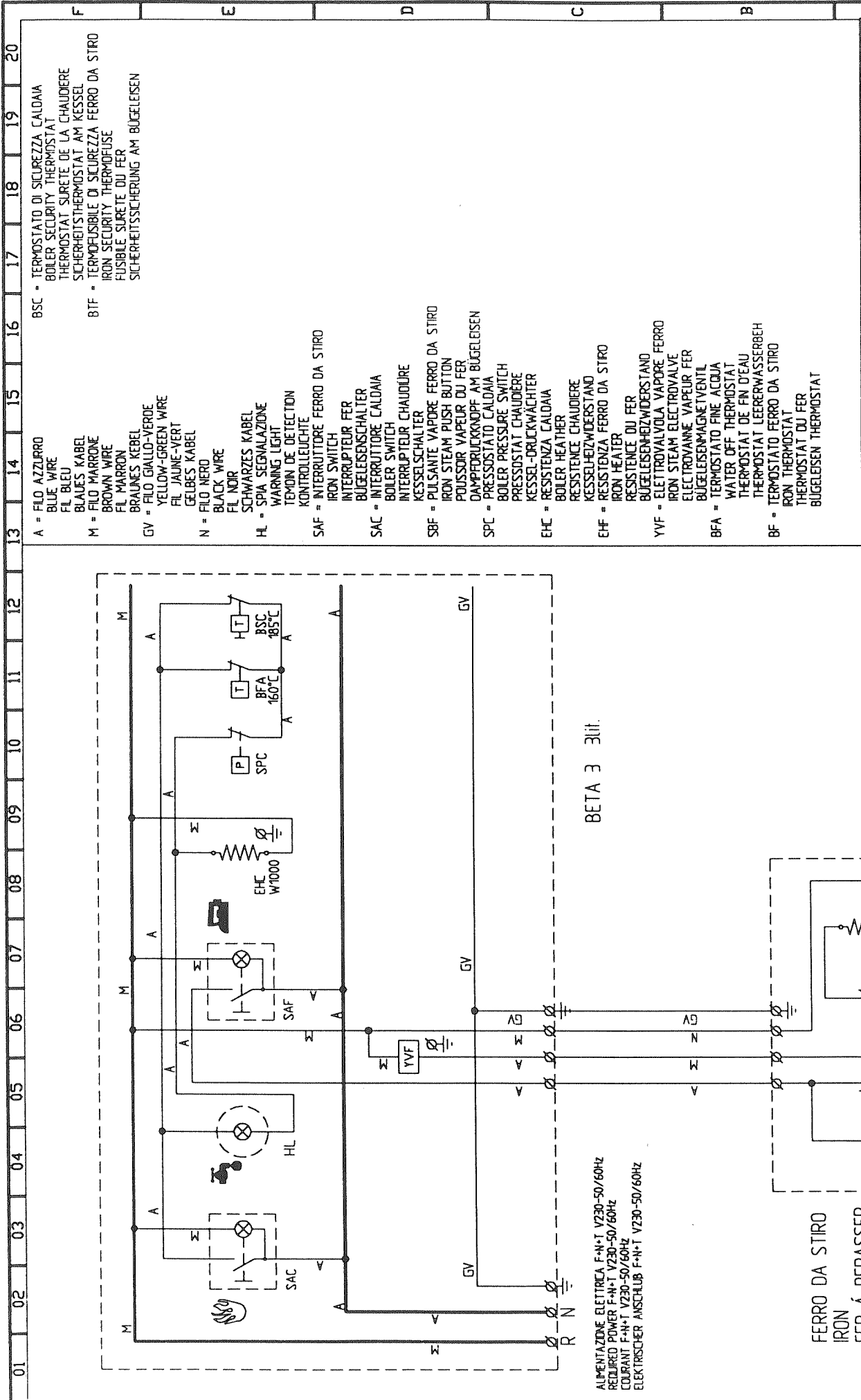


A = FID AZZURRO
 BLUE WIRE
 FL BLEU
 BLAUES KABEL
 M = FID MARRONE
 BROWN WIRE
 FL MARRON
 BRAUNES KABEL
 GV = FID GIALLO-VERDE
 YELLOW-GREEN WIRE
 FL JAUNE-VERT
 GELBES KABEL
 N = FID NERO
 BLACK WIRE
 FL NOIR
 SCHWARZES KABEL
 HL = SPIA SEGNALAZIONE
 WARNING LIGHT
 TEMON DE DETECTION
 KONTROLLEUCHE
 SAF = INTERRUTTORE FERRO DA STIRO
 IRON SWITCH
 INTERRUPTEUR FER
 BÜGELENSCHALTER
 SAC = INTERRUTTORE CALDAIA
 BOILER SWITCH
 INTERRUPTEUR CHAUDIERE
 KESSELSCHALTER
 SBF = PULSANTE VAPORE FERRO DA STIRO
 IRON STEAM PUSH BUTTON
 POUSSOIR VAPEUR DU FER
 DAMPFÜCKKNOPF AM BÜGELEISEN
 EHC = RESISTENZA CALDAIA
 BOILER HEATHER
 RESISTENCE CHAUDIERE
 KESSELHEIZWIDERSTAND
 EHF = RESISTENZA FERRO DA STIRO
 IRON HEATER
 RESISTENCE DU FER
 BÜGELEISENHEIZWIDERSTAND
 YVF = ELETTROVALVOLA VAPORE FERRO
 IRON STEAM ELECTROVALVE
 ELECTROVANNE VAPEUR FER
 BÜGELEISENMAGNETVENTIL
 BS = TERMOSTATO DI SERVIZIO CALDAIA
 BOILER OPERATION THERMOSTAT
 THERMOSTAT SERVICE DE LA CHAUDIERE
 BETREBS THERMOSTAT AM KESSEL
 BSC = TERMOSTATO DI SICUREZZA CALDAIA
 BOILER SECURITY THERMOSTAT
 THERMOSTAT SURETE DE LA CHAUDIERE
 SICHERHEITSTHERMOSTAT AM KESSEL
 BF = TERMOSTATO FERRO DA STIRO
 IRON THERMOSTAT
 THERMOSTAT DU FER
 BÜGELEISEN THERMOSTAT

BIF = TERMOFUSIBILE DI SICUREZZA FERRO DA STIRO
 IRON SECURITY THERMOFUSE
 FUSIBLE SURETE DU FER
 SICHERHEITSSICHERUNG AM BÜGELEISEN

Titolo Descriz.		SCHEMA ELETTRICO ELECTRICAL WIRING	
Denominazione Description		BETA 3 ALIMENTAZ. F+N+T V230 - 50/60Hz	
3	Data	18/07/96	
2	Dis.	CLG	
1	Cod.		
1	Appr.		
Foglio		1	
Segue		1	
Dis. N		SE960718	

QUESTO DISEGNO VE' CONCESSO ALL'ESPRESSIONE CONDIZIONE CHE NON VOGA SENZA N.E. / CONSENSO NE APPRODOTTO -E. CECILIO AD AL. DE. OLTE



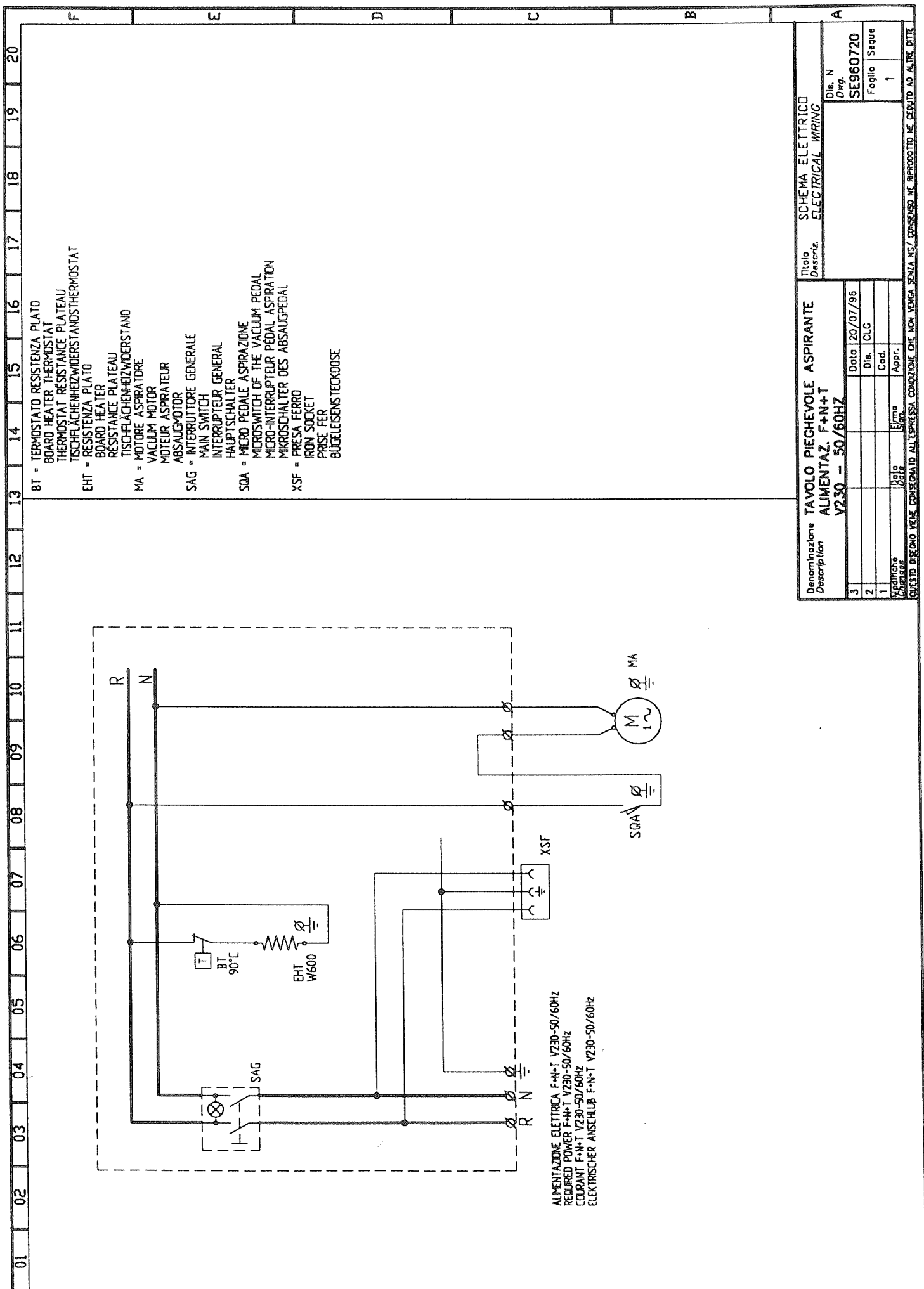
ALIMENTAZIONE ELETTRICA F+N+T V230-50/60HZ
 REDUCED POWER F+N+T V230-50/60HZ
 COURANT F+N+T V230-50/60HZ
 ELEKTRISCHER ANSCHLUS F+N+T V230-50/60HZ

FERRO DA STIRO
 IRON
 FER Á REPASSER
 BÜGELEISEN

Denominazione Description		BETA 3 3 LITRI ALIMENTAZ. F+N+T V230 - 50/60HZ		Data 19/07/96	
3	Disegnato			Dis.	CLG
2	Verificato			Coed.	
1	Approvato			Appr.	
TITOLO		SCHEMA ELETTRICO ELECTRICAL WIRING		Dis. N D'imp. SE960719	
Foglio		1		Segue	

A = FIO AZZURRO
 BLUE WIRE
 FIL BLEU
 M = FIO MARRONE
 BROWN WIRE
 FIL MARRON
 GV = FIO GIALLO-VERDE
 YELLOW-GREEN WIRE
 FIL JAUNE-VERT
 N = FIO NERO
 BLACK WIRE
 FIL NOIR
 HL = SPIA SEGNALEZIONE
 WARNING LIGHT
 TEMON DE DETECTION
 KONTROLLEUCHE
 SAF = INTERRUTTORE FERRO DA STIRO
 IRON SWITCH
 INTERRUPTEUR FER
 BÜGELENSCHALTER
 SAC = INTERRUTTORE CALDAIA
 BOILER SWITCH
 INTERRUPTEUR CHAUDIERE
 KESSELSCHALTER
 SBF = PULSANTE VAPORE FERRO DA STIRO
 IRON STEAM PUSH BUTTON
 POUSSOR VAPEUR DU FER
 DAMPDRÜCKKNOPF AM BÜGELEISEN
 SPC = PRESSOSTATO CALDAIA
 BOILER PRESSURE SWITCH
 PRESSOSTAT CHAUDIERE
 KESSEL-DRÜCKWÄCHTER
 EHC = RESISTENZA CALDAIA
 BOILER HEATER
 RESISTENCE CHAUDIERE
 KESSELHEIZWIDERSTAND
 EHF = RESISTENZA FERRO DA STIRO
 IRON HEATER
 RESISTENCE DU FER
 BÜGELEISENHEIZWIDERSTAND
 YVF = ELETTROVALVOLA VAPORE FERRO
 IRON STEAM ELECTROVALVE
 ELECTROVANNE VAPEUR FER
 BÜGELEISENMAGNETVENTIL
 BFA = TERMOSTATO FINE ACQUA
 WATER OFF THERMOSTAT
 THERMOSTAT DE FIN D'EAU
 THERMOSTAT LEERERWASSERBEH
 BF = TERMOSTATO FERRO DA STIRO
 IRON THERMOSTAT
 THERMOSTAT DU FER
 BÜGELEISEN THERMOSTAT

BSC = TERMOSTATO DI SICUREZZA CALDAIA
 BOILER SECURITY THERMOSTAT
 THERMOSTAT SURETE DE LA CHAUDIERE
 SICHERHEITSTHERMOSTAT AM KESSEL
 BTF = TERMOFUSIBILE DI SICUREZZA FERRO DA STIRO
 IRON SECURITY THERMOFUSE
 FUSIBLE SURETE DU FER
 SICHERHEITSSICHERUNG AM BÜGELEISEN

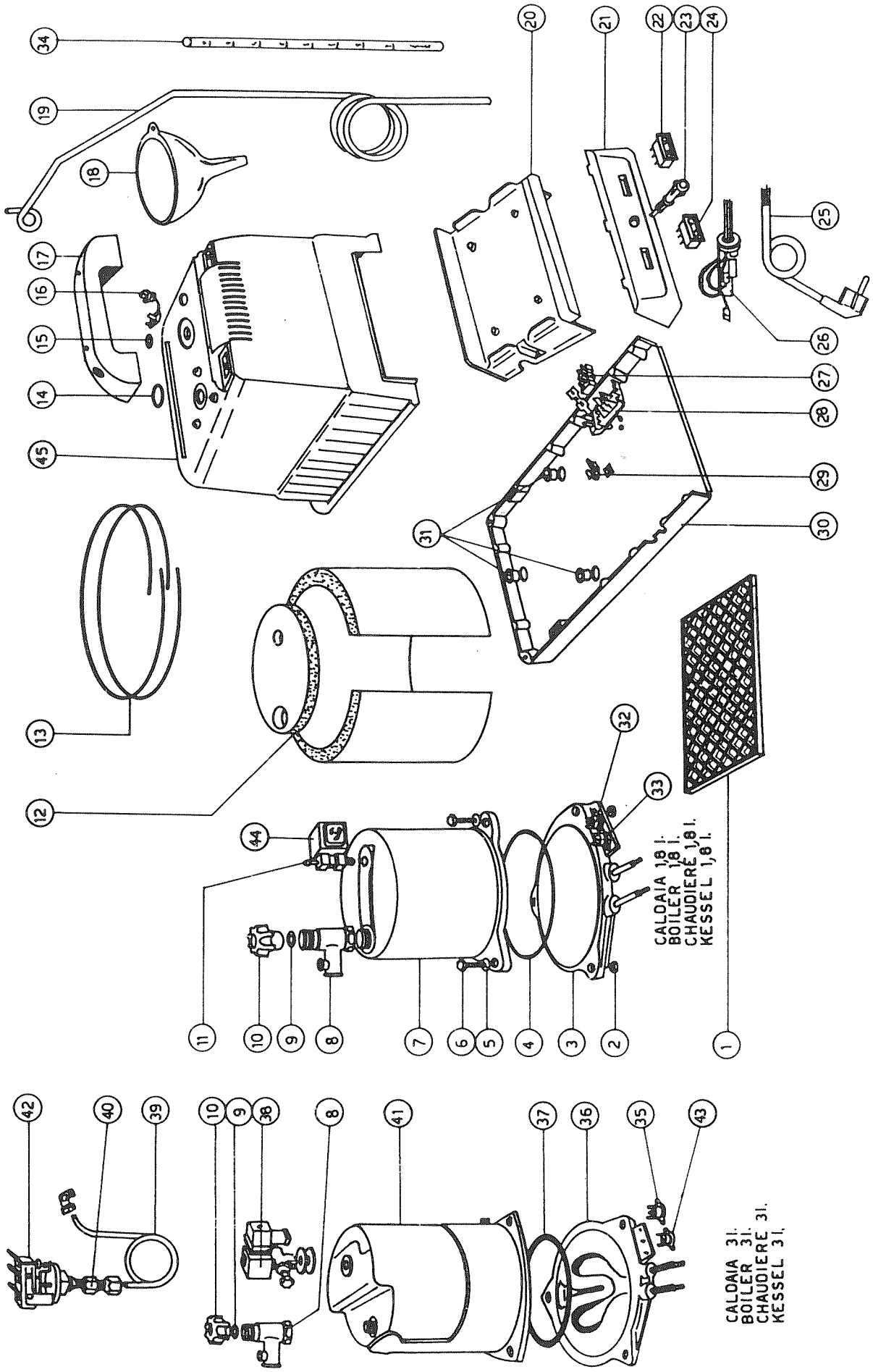


ALIMENTAZIONE ELETTRICA F+N+T V230-50/60HZ
 REQUIRED POWER F+N+T V230-50/60HZ
 COURANT F+N+T V230-50/60HZ
 ELEKTRISCHER ANSCHLUB F+N+T V230-50/60HZ

- BT = TERMOSTATO RESISTENZA PLATO
BOARD HEATER THERMOSTAT
THERMOSTAT RESISTANCE PLATEAU
TISCHFLÄCHENHEIZWIDERSTANDSTHERMOSTAT
- EHT = RESISTENZA PLATO
BOARD HEATER
RESISTANCE PLATEAU
TISCHFLÄCHENHEIZWIDERSTAND
- MA = MOTORE ASPIRATORE
MOTEUR ASPIRATEUR
ABSAUGMOTOR
- SAG = INTERRUITTORE GENERALE
MAIN SWITCH
HAUPTSCHALTER
- SDA = MICRO PEDALE ASPIRAZIONE
MICRO-SWITCH OF THE VACUUM PEDAL
MICRO-INTERRUPTEUR PEDAL ASPIRATION
MIKROSCHALTER DES ABSAUGPEDAL
- XSF = PRESA FERRO
IRON SOCKET
EISENLESESTECKDOOSE

Denominazione Description		TAVOLO PIEGHEVOLE ASPIRANTE ALIMENTAZ. F+N+T V230 - 50/60HZ		Titolo Descriz.		SCHEMA ELETTRICO ELECTRICAL WIRING	
Data		20/07/96		Dis. N		SE960720	
Dis.		CLG		Foglio		1	
Cod.				Sigue			
Appr.				Disegnato			
Verificato				Disegnato			
Disegnato				Disegnato			
Disegnato				Disegnato			

QUESTO BREVIO VENE CONSIDERATO ALL'ESPRESSIONE CONDIZIONE CHE NON VENGA SENZA N.E. CONSENSO NE RIPRODOTTO NE CEPUTO AD ALTRE DITTE.



ESPLOSO BETA 3 L1,8 - BETA 3 L3

DESSIN ECLATE' DU BETA 3 L1,8 - BETA 3 L3

EXPLODED DRAWING OF THE BETA3 L1,8- BETA 3 L3

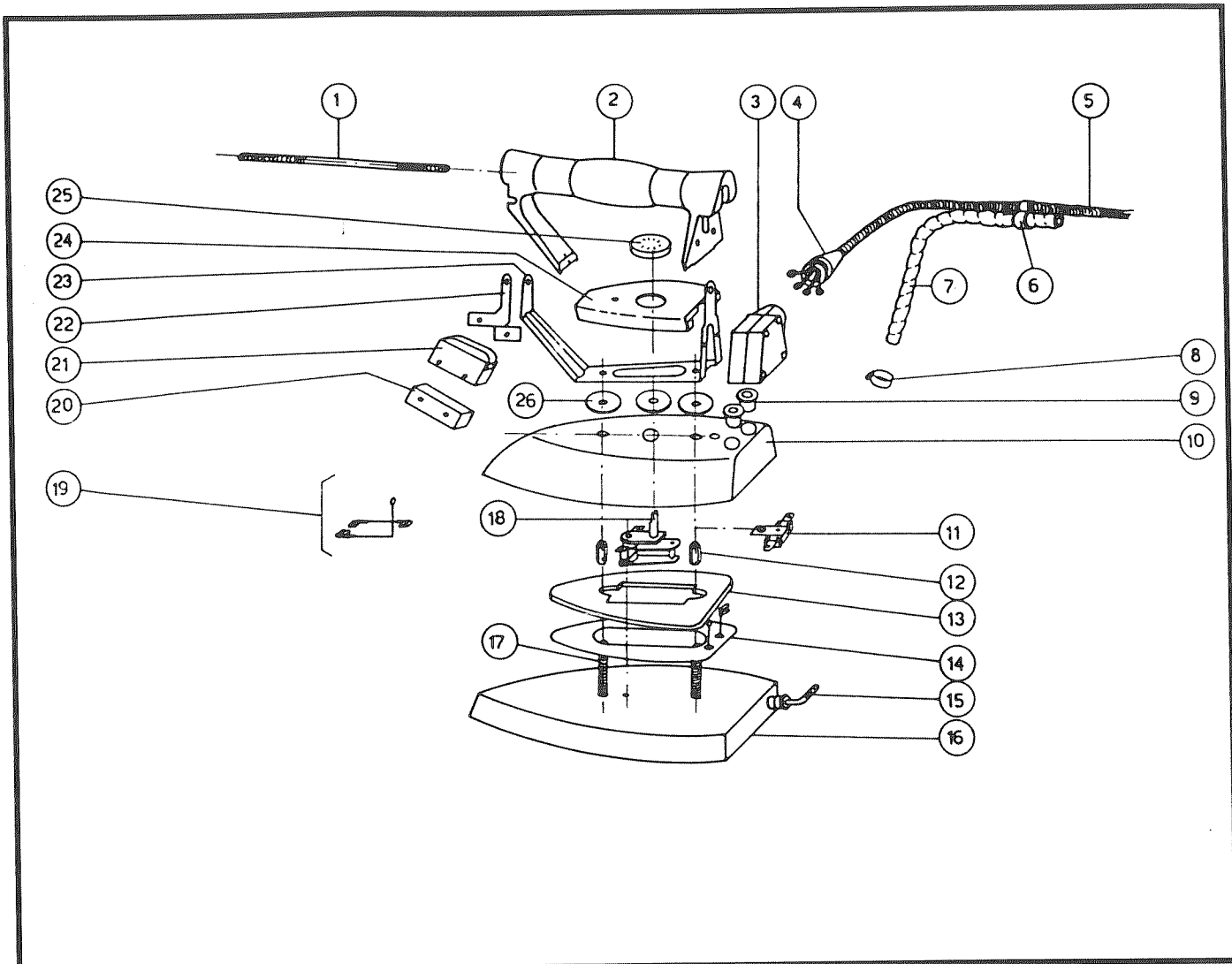
TEILSCHNITTZEICHNUNG BETA 3 L 1,8 - BETA 3 L3

E-44

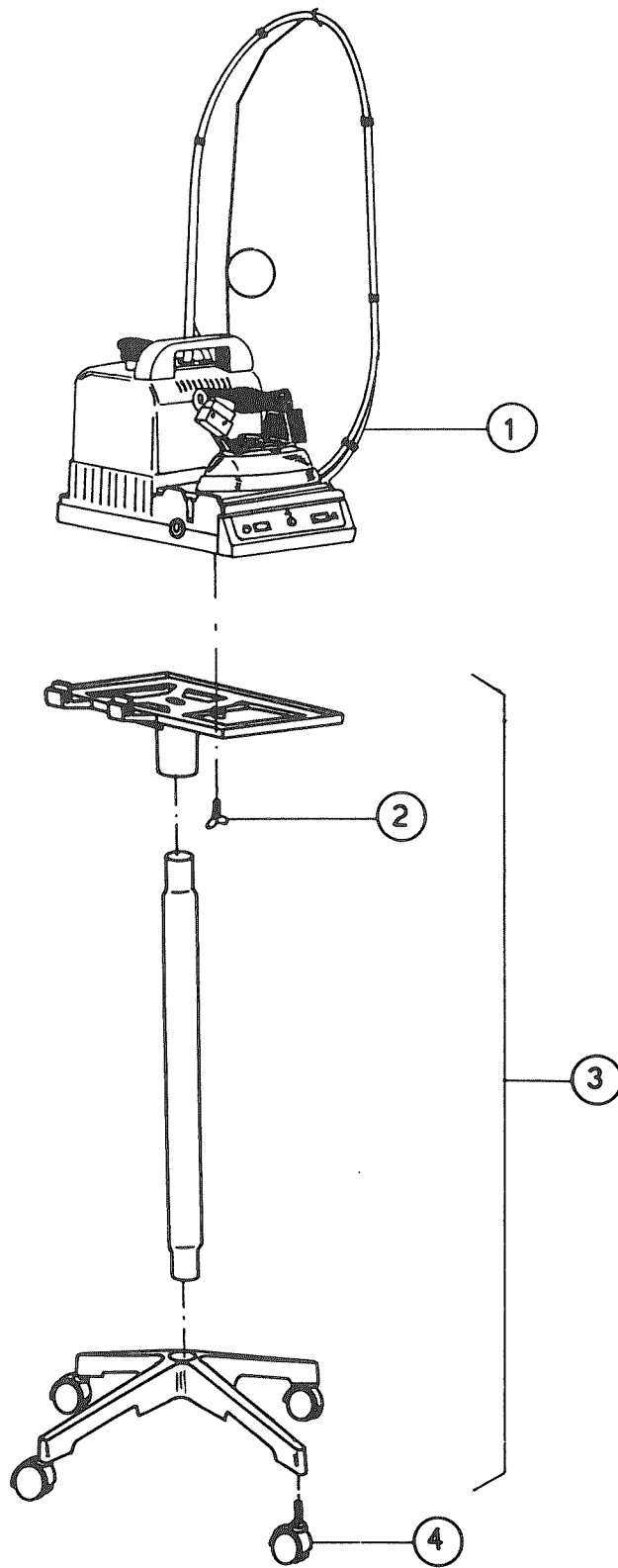
36	212040	Resistenza caldaia W1400	Boiler coil	Résistance de la chaudière	Kesselheizwiderstand W1400
35	45B007	Termostato di sicurezza con ripristino 185°C	Restoring security thermostat 185° C	Thermostat de sûreté avec rétablissement 185°C	Sicherheitsthermostat mit Wiedereinschaltvorrichtung 185 C°
34	Z27A01	Asta controllo livello acqua	Water level rod	Tige de contrôle niveau eau	Wasserstandsstab
33	45B002	Termostato servizio 140°C	Service thermostat 140°C	Thermostat de service 140°C	Gebrauchsthermostat 140°C
32	45B004	Termostato di sicurezza con ripristino 170°C	Restoring security thermostat 170° C	Thermostat de sûreté avec rétablissement 170°C	Sicherheitssthermostat mit Wiedereinstellvorrichtung 170 C°
31	224246	Distanziali in dutral	Dutral spacers	Pièces d'entretoisement en dutra	Abstandsstück aus Dutral
30	34D001	Base	Base	Base	Grundgestell
29	51F003	Dado in gabbia	Caged nut	Écrou sous protection	Schraubenmutter
28	43J002	Porta morsettiere	Clamps holding bag	Porte-bornes	Klemmbretträger
27	43J001	Morsettiere	Clamps holder	Bornes	Klemmbrett
26	46C020	Fissacavo d'alimentazione	Cable fastener	Dispositif pour le câble	Kabelschuh
25	463283	Cavo con spina	Cable and plug	Câble avec fiche	Kabel mit Steker
24	43A004	Interruttore caldaia	Boiler switch	Interrupteur de la chaudière	Kessel schalter
23	43C004	Lampada di segnalazione	Pilot lamp	Lampe témoin	Kontrolleuchte
22	43A004	Interruttore ferro	Iron switch	Interrupteur du fer	Bügeleisen schalter
21	34D002	Pannello comandi	Control panel	Panneau de contrôle	Schaltbrett
20	34D003	supporto posaferro	Iron rest support	Couvercle repose fer	Bügeleisen abstellhaube
19	534266	Antenna reggifilo	Cable-holding fork	Antenne porte-fil	Kabelhalter
18	22I001	Imbuto	Funnel	Antonnoir	Trichter
17	22D002	Maniglia	Handle	Poignée	Griff
16	46C019	Pressacavo cordone elettrico	Cable fastener for electrical wire	Presse pour câble électrique	Kabelschuh
15	244218	Guarnizione foro elettrovalvola	Electrovalve hole gasket	Joint pour trou soupape électrique	Dichtung für Magnetventil loch
14	244219	Guarnizione foro valvola di sicurezza	Safety electrovalve hole gasket	Joint pour trou soupape de sûreté	Dichtung für Sicherheitsventilloch
13	51X015	Anelli per isolante caldaia	Rings for boiler insulating	Bague pour isolant de la chaudière	Ringe für Kesselisolierung
12	---	Isolante termico caldaia	Thermal insulating material for boiler	Isolant thermique chaudière	Thermische Kesselisolierung
11	39B025	Elettrovalvola 230V-50Hz OLAB	Solenoid valve 230V-50Hz OLAB	Electrovanne 230V-50Hz OLAB	Magnetventil 230V-50Hz OLAB
11	39B024	Elettrovalvola 230V-50Hz CEME	Solenoid valve 230V-50Hz CEME	Electrovanne 230V-50Hz CEME	Magnetventil 230V-50Hz CEME
11	39B011	Elettrovalvola 110V-60Hz M&M	Solenoid valve 110V-60Hz M&M	Electrovanne 110V-60Hz M&M	Magnetventil 110V-60Hz M&M
11	39B010	Elettrovalvola 230V-50/60Hz M&M	Solenoid valve 230V-50/60Hz M&M	Electrovanne 230V-50/60Hz M&M	Magnetventil 230V-50/60Hz M&M
10	524220	Tappo caldaia	Boiler cap	Bouchon de la chaudière	Wasserbehälterverschluss
9	244246	Guarnizione tappo caldaia	Cap gasket	Joints du bouchon	Verschlussverichtung
8	38S005	Valvola di sicurezza	Safety valve	Soupape de sécurité	Sicherheitsventil
7	201016	Caldaia L1,8	Boiler L 1,8	Chaudière L 1,8	Kessel L 1,8
6	---	Vite	Screw	Vis	Schraube
5	---	Rondella	Washer	Rondelle	Dichtungsscheibe
4	24A006	Guarnizione caldaia L1,8	Boiler gasket L 1,8	Joint pour chaudière L1,8	Kesseldichtung
3	212041	Resistenza caldaia L1,8 1000W 110V	L 1,8Boiler's heater 1000W 110V	Résistance chaudière L1,8 1000W 110V	Kesselheizwiderstand L1,8 1000W 110V
3	212042	Resistenza caldaia L1,8 1000W 230V	L 1,8 Boiler's heater 1000W 230V	Résistance chaudière L1,8 1000W 230V	Kesselheizwiderstand L1,8 1000W 230V
2	---	Dado	Nut1000W 230V	Écro	Mutter
1	25A003	Posaferro in silicone	Silicon iron best	Porte-fer au silicone	Abstellplatte aus Silikon
N.	N. CODE	DESCRIZIONE	DESCRIPTION	DESCRIPTION	BEZEICHNUNG
ESPLOSO BETA 3 CON FERRO L1,8 230V-50/60Hz			EXPLODED DRAWING OF THE BETA 3 WITH IRON L1,8		G01X00
DESSIN ECLATE' BETA 3 AVEC FER L1,8 230V-50/60HZ			TEILSCHNITTZEICHNUNG BETA 3 MIT EISEN V. 230		
ESPLOSO BETA 3 SENZA FERRO L1,8 230V-50/60Hz			EXPLODED DRAWING OF THE BETA 3 WITHOUT IRON L1,8		G01X01
DESSIN ECLATE' BETA 3 SANS FER L1,8 230V-50/60HZ			TEILSCHNITTZEICHNUNG BETA 3 OHNE EISEN V. 230		
ESPLOSO BETA 3 CON FERRO L1,8 110V-60Hz			EXPLODED DRAWING OF THE BETA 3 WITH IRON L1,8		G01Y01
DESSIN ECLATE' BETA 3 AVEC FER L1,8 110V-60HZ			TEILSCHNITTZEICHNUNG BETA 3 MIT EISEN L1,8 110V/60		
ESPLOSO BETA 3 CON FERRO L3 230V-50/60Hz			EXPLODED DRAWING OF THE BETA 3 WITH IRON L3		G01G00
DESSIN ECALTE' BETA 3 AVEC FER L3 230V-50/60HZ			TEILSCHNITTZEICHNUNG BETA 3 MIT EISEN L3 230V		E-44

● E-15 = vedi esplosione corrispondente - Look at corresponding exploded drawing - Voir dessin correspondant - Siehe entsprechende Sprengzeichnung

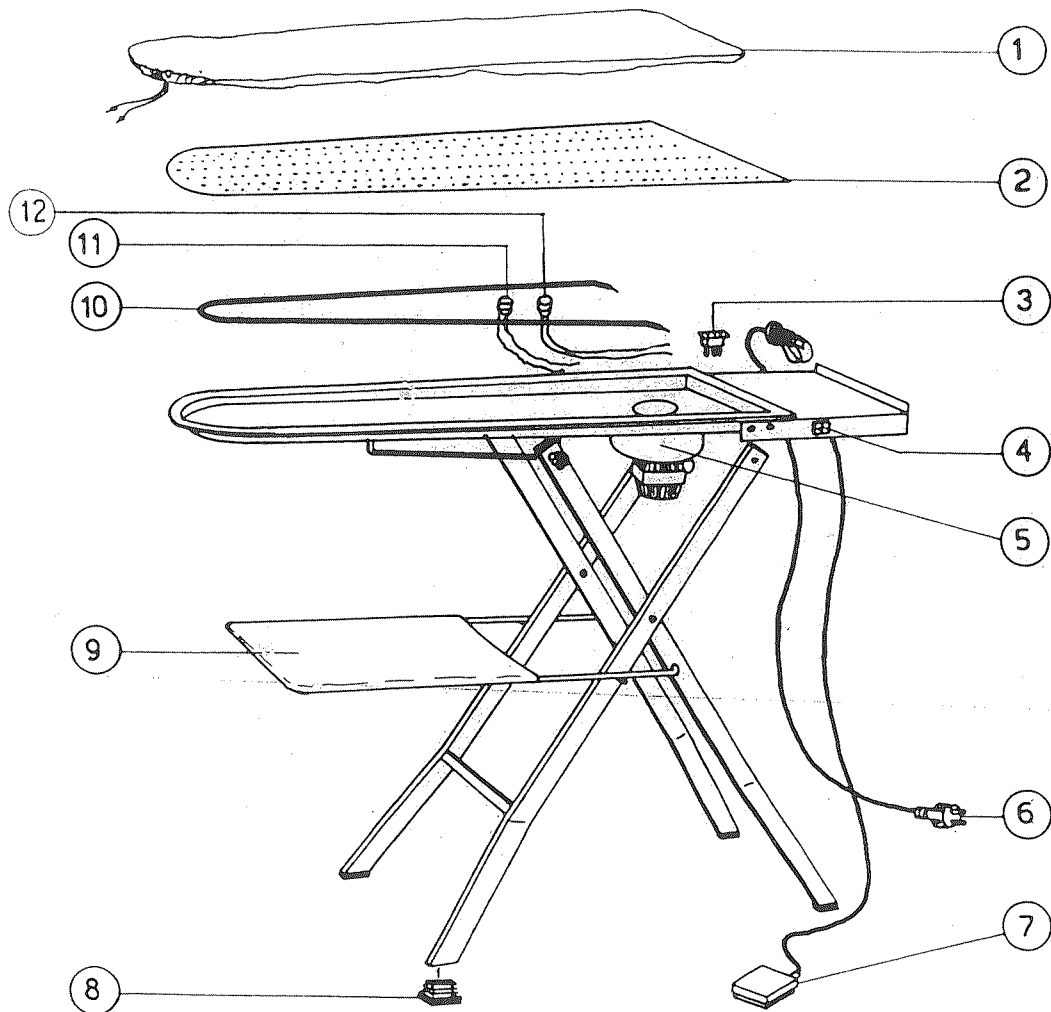
45	22D001	Capottina con maniglia	Casing with handle	Capot avec poignée	Vekleidung mit Handgriff
44	39H0038	Bobina V230/50Hz OLAB	Solenoid V 230/50Hz OLAB	Bobine V230/50Hz OLAB	Spule V230/50Hz OLAB
44	39H034	Bobina V230/50Hz CEME	Solenoid V 230/50Hz CEME	Bobine V230/50Hz CEME	Spule V230/50Hz CEME
44	39H007	Bobina V230/50-60Hz M&M	Solenoid V230/50-60Hz M&M	Bobine V230/50-60Hz M&M	Spule V230/50-60Hz M&M
44	39H009	Bobina V110/60Hz M&M	Solenoid V110/60Hz M&M	Bobine V110/60Hz M&M	Spule V110/60Hz M&M
43	45B006	Termostato fine acqua 160°C	Water off thermostat 160°C	Thermostat de fin d'eau 160°C	Thermostat Leererwasserbeh 160°C
42	45G009	Pressostato	Pressostat	Pressostat	Druckwächter
41	201015	Caldaia I 3	Boiler I 3	Chaudière I 3	Wasserbehälter I 3
40	---	Niples per pressostato	Niples pressostat	Niples pressostat	Druckwächterschraubverbindung
39	---	Tubo pressostato	Pipe for pressostat	Tuyau pressostat	Druckwächterrohr
38	E-23 ●	Elettrovalvola con regolazione	Electrovalve with regulator	Soupape électrique avec réglage	Dampfmagnetventil mit Einstellung
37	24A015	Guarnizione caldaia L3	Boiler gaskets	Joint pour la chaudière	Kesseldichtung L3
N.	N. CODE	DESCRIZIONE	DESCRIPTION	DESCRIPTION	BEZEICHNUNG
ESPLOSO BETA 3 CON FERRO L1,8 230V-50/60Hz			EXPLODED DRAWING OF THE BETA 3 WITH IRON L1,8		G01X00
DESSIN ECLATE' BETA 3 AVEC FER L1,8 230V-50/60HZ			TEILSCHNITTZEICHNUNG BETA 3 MIT EISEN V. 230		
ESPLOSO BETA 3 SENZA FERRO L1,8 230V-50/60Hz			EXPLODED DRAWING OF THE BETA 3 WITHOUT IRON L1,8		G01X01
DESSIN ECLATE' BETA 3 SANS FER L1,8 230V-50/60HZ			TEILSCHNITTZEICHNUNG BETA 3 OHNE EISEN V. 230		
ESPLOSO BETA 3 CON FERRO L1,8 110V-60Hz			EXPLODED DRAWING OF THE BETA 3 WITH IRON L1,8		G01Y01
DESSIN ECLATE' BETA 3 AVEC FER L1,8 110V-60HZ			TEILSCHNITTZEICHNUNG BETA 3 MIT EISEN L1,8 110V/60		
ESPLOSO BETA 3 CON FERRO L3 230V-50/60Hz			EXPLODED DRAWING OF THE BETA 3 WITH IRON L3		G01G00
DESSIN ECALTE' BETA 3 AVEC FER L3 230V-50/60HZ			TEILSCHNITTZEICHNUNG BETA 3 MIT EISEN L3 230V		E-44



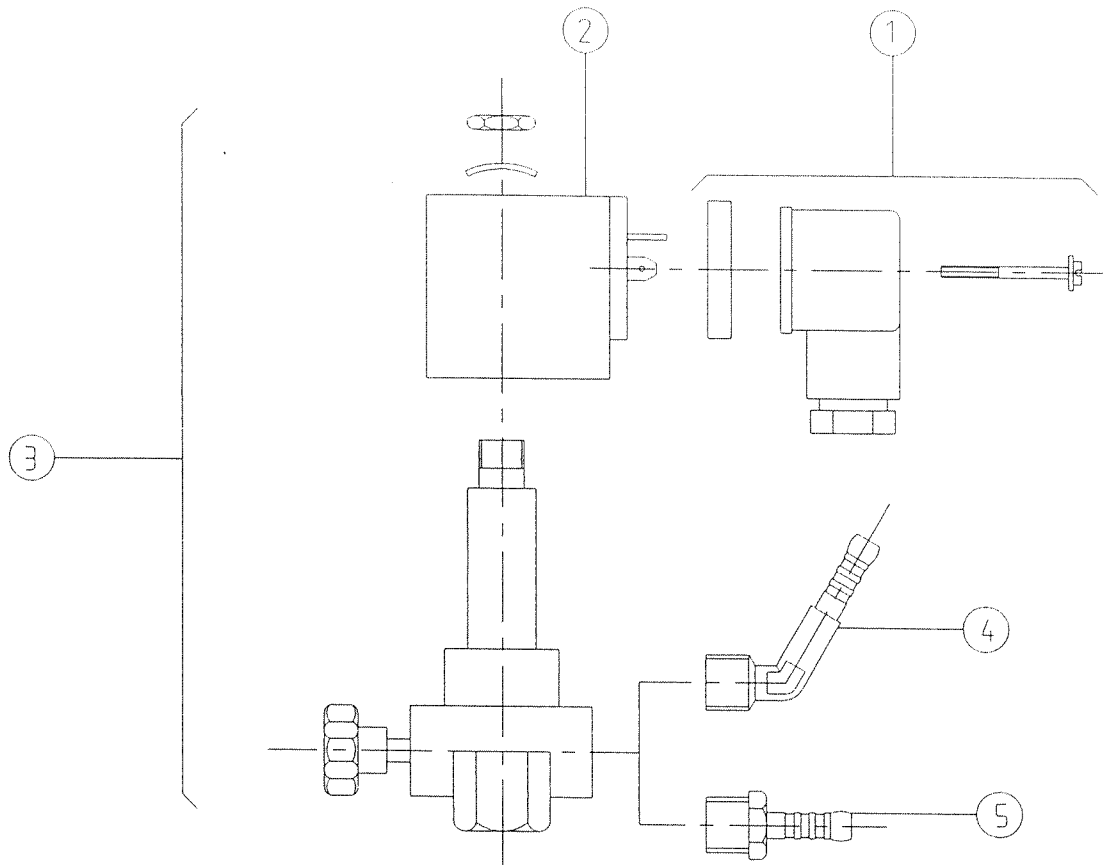
26	244244	Rondelle isolanti	Insulating washers	Rondelles isolantes	Isolierringe
25	224211	Volantino	Hand wheel	Volant	Einstellrad
24	223234	Piastra copri supporto	Support covering plate	Plaque couvre-support	Halterungsdeckplättchen
23	172056	Supporto manico	Handle support	Support manche	Griffhalterung
22	173235	Supporto microinterruttore	Microswitch support	Support micro-interrupteur	Mikroschalterhalterung
21	43D001	Microinterruttore	Microswitch	Micro-interrupteur	Mikroschalter
20	224213	Scatola microinterruttore	Microswitch box	Boîte micro-interrupteur	Mikroschaltergehäuse
19	30A057	Serie contatti termostato	Set of thermostat contacts	Serie de contacts thermost.	Thermostatkontaktserie
18	45A003	Termostato	Thermostat	Thermostat	Thermostat
17	---	Prigioniero	Prisoner Screw	Boulon prisonnier	Gewindesifft
16	253251	Piastra ferro	Iron plate	Plaque fer	Bügeleisenplatte
15	364296	Portagomma Ø 1/8" Gas	Ø 1/8" Gas Hose holder	Porte joint caoutchouc Ø1/8	Gas schlauchhalter Ø1/8"
14	213136	Resist.micanite V110W830	Micanite resistance V110	Resistance Micanite V110	Mikanitheizplatte V110
14	213134	Resist.micanite V230W800	Micanite resistance V230	Resistance Micanite V230	Mikanitheizplatte V230
13	174301	Copriresistenza	Heater cover	Couvre Résistance	Widerstandsabdeckung
12	---	Dado	Nut	Ecrou	Mutter
11	45A004	Termofusibile	Fuse	Thermofusée	Thermosicherung
10	253247	Calotta	Calotte	Calotte	Gehäuse
9	224247	Gommini isolanti	Isolating rubber rings	Calotte isolante en caoutchouc	Isoliergummi
8	51X005	Fascetta	Clamp	Serre tuyau	Kabelklemme
7	07A001	Tubo gomma	Rubber hose	Tuyau à vapeur en caoutc.	Gummischlauch
6	224215	Mollettina	Spring	Ressort	Klammer
5	Z23C00	Cordone elettrico	Electric cable	Cable électrique	Elektrokabel
4	224216	Passacavo	Fairlead	Passage cable	Kabelführung
3	25A000	Scatola contatti	Junction box	Boîte de jonction	Kontaktgehäuse
2	222055	Manico	Handel	Manche	Griff
1	504291	Tirante manico	Handle rod	Tirant manche du fer	Verbindungsstange
N.	N. CODE	DESCRIZIONE	DESCRIPTION	DESCRIPTION	BEZEICHNUNG
ESPLOSO FERRO BETA 3			EXPLODED DRAWING OF THE BETA 3 STEAM IRON		E-45
DESSIN ECLATE' FER BETA 3			SPRENGZEICHNUNG BUGELEISEN BETA 3		



4	56B001	Ruota (serie di 4)	Wheel (series of 4)	Roue (série de 4)	Rolle (4 Stk.)
3	Z27A00	Carrello completo	Complete trolley	Chariot complet	Kompletter Ständer
2	---	Vite fissaggio Beta 3 al carrello	Screw ffixing Beta 3 to the trolley	Vis pour le fixage du Beta 3 sur le chariot	Fixierschraube für Beta 3 am Ständer
1	----	Beta 3	Beta 3	Beta 3	Beta 3
N.	N. CODE	DESCRIZIONE	DESCRIPTION	DESCRIPTION	BEZEICHNUNG
ESPLOSO CARRELLO BETA 3			EXPLODED DRAWING OF BETA 3 TROLLEY		E - 46
DESSIN ECLATE' CHARIOT BETA 3			TEILSCHNITTZEICHNUNG DES BETA 3 STÄENDERS		



12	45B008	Termostato Tavolo 90°C	90° Table Thermostat	Thermostat table 90°C	Tischthermostat
11	45B009	Termostato di sicurezza con ripristino 135°C	Restoring security thermostat 135° C	Thermostat de sûreté avec rétablissement 135°C	Sicherheitsthermostat mit Wiedereinschaltvorrichtung 135 C°
11	45B009	Termostato Tavolo 135°C	135° Table Thermostat	Thermostat table 135°C	Tischthermostat
10	Z25H01	Resistenza tavolo W600	W 600 Table Heater	Résistance table W600	Tischheizwiderstand
9	274216	Telo reggindumenti	Cloth-holder sheet	Tissu pour support vêtements	Abllagetuch
8	Z25H07	Piedino	Foot	Pied	Gummifuß
7	43B009	Pedale aspirazione	Vacuum pedal	Pédale pour aspiration	Absaug pedal
6	463281	Cavo alimentazione	Feeder	Câble alimentation	Elektrokabel
5	Z25H06	Aspiratore 110V-60Hz	Vacuum 110V - 60Hz	Aspirateur 110V 60Hz	Absaugung 110V 60Hz
5	Z25H02	Aspiratore 230V-50/60Hz	Vacuum 230V - 50/60 Hz	Aspirateur 230V-50/60Hz	Absaugung 230V 50/60Hz
4	Z25H04	Interruttore	Switch	Interrupteur	Schalter
3	43G008	Presca	Intake	Fiche	Steckdose
2	Z25H05	Piastra copertura tavolo	Covering table plate	Plaque de couverture table	Gelöcherte Tischplatte
1	274207	Telo e mollettone tavolo	Felt + cloth for table	Tissu et ressort pour table	Tischbezug und Polsterung
N.	N. CODE	DESCRIZIONE	DESCRIPTION	DESCRIPTION	BEZEICHNUNG
ESPLOSO TAVOLO PIEGHEVOLE ASPIRANTE 230V-50/60Hz			EXPLODED DRAWING OF VACUUM FOLDING TABLE 230V-50/60Hz		Z25A00
DESSIN ECLATE' TABLE PLIANTE ASPIRANTE 230V-50/60Hz			TEILSCHNITTZEICHNUNG DES ABSAUG TISCHES 230V 50/60Hz		
ESPLOSO TAVOLO PIEGHEVOLE ASPIRANTE 110V-60Hz			EXPLODED DRAWING OF VACUUM FOLDING TABLE 110V-60Hz		Z25A02
DESSIN ECLATE' TABLE PLIANTE ASPIRANTE 110V-60Hz			TEILSCHNITTZEICHNUNG DES ABSAUG TISCHES 110V 60Hz		E - 47



5	36E005	Portagomma dritto 1/4" Gas x 7	Hose holder 1/4" Gas x 7	Porte-caoutchouc 1/4" Gas x 7	Gerader Gummiträger 1/4" Gas x 7
4	36E008	Portagomma gomito 1/4" Gas x 7	Angled hose holder 1/4" Gas x 7	Porte-caoutchouc courbé 1/4" Gas x 7	Gewinkelter Gummiträger 1/4" Gas x 7
3	39B004	Elettrovalvola completa V110/60Hz M&M	Complete solenoid valve V110/60Hz M&M	Electrovanne complète V110/60Hz M&M	Komplettes Magnetventil V110/60Hz M&M
3	39B006	Elettrovalvola completa V220/50Hz CEME	Complete solenoid valve V220/50Hz CEME	Electrovanne complète V220/50Hz CEME	Komplettes Magnetventil V220/50Hz CEME
3	39B003	Elettrovalvola completa V230/50-60Hz M&M	Complete solenoid valve V230/50-60Hz M&M	Electrovanne complète V230/50-60Hz M&M	Komplettes Magnetventil V230/50-60Hz M&M
2	39H031	Bobina V24/50Hz CEME	Solenoid V24/50Hz CEME	Bobine V24/50Hz CEME	Spule V24/50Hz CEME
2	39H030	Bobina V230/60Hz CEME	Solenoid V230/60Hz CEME	Bobine V230/60Hz CEME	Spule V230/60Hz CEME
2	39H029	Bobina V230/50Hz CEME	Solenoid V230/50Hz CEME	Bobine V230/50Hz CEME	Spule V230/50Hz CEME
2	39H028	Bobina V110/60Hz CEME	Solenoid V110/60Hz CEME	Bobine V110/60Hz CEME	Spule V110/60Hz CEME
2	39H027	Bobina V110/50Hz CEME	Solenoid V110/50Hz CEME	Bobine V110/50Hz CEME	Spule V110/50Hz CEME
2	39H026	Bobina V24/50Hz SA-MA	Solenoid V24/50Hz SA-MA	Bobine V24/50Hz SA-MA	Spule V24/50Hz SA-MA
2	39H024	Bobina V230/50-60Hz SA-MA	Solenoid V230/50-60Hz SA-MA	Bobine V230/50-60Hz SA-MA	Spule V230/50-60Hz SA-MA
2	39H023	Bobina V110/60Hz SA-MA	Solenoid V110/60Hz SA-MA	Bobine V110/60Hz SA-MA	Spule V110/60Hz SA-MA
2	39H022	Bobina V110/50Hz SA-MA	Solenoid V110/50Hz SA-MA	Bobine V110/50Hz SA-MA	Spule V110/50Hz SA-MA
2	39H019	Bobina V24/50Hz M&M	Solenoid V24/50Hz M&M	Bobine V24/50Hz M&M	Spule V24/50Hz M&M
2	39H016	Bobina V110/60Hz M&M	Solenoid V110/60Hz M&M	Bobine V110/60Hz M&M	Spule V110/60Hz M&M
2	39H014	Bobina V110/50Hz M&M	Solenoid V110/50Hz M&M	Bobine V110/50Hz M&M	Spule V110/50Hz M&M
2	39H035	Bobina V230/50-60Hz M&M	Solenoid V230/50-60Hz M&M	Bobine V230/50-60Hz M&M	Spule V230/50-60Hz M&M
1	39I001	Connettore	Connector	Connecteur	Kopplungsstück
N.	N.CODE	DESCRIZIONE	DESCRIPTION	DESCRIPTION	BEZEICHNUNG
ESPLOSO ELETTROVALVOLA VAPORE CON REGOLAZIONE			EXPLODED DRAWING STEAM VALVE WITH REGULATOR		
DESSIN ECLATE VANNE-VAPEUR/REGULATEUR VAPEUR			SPRENGZEICHNUNG DAMPFVENTIL MIT REGULATOR		
					E-23

